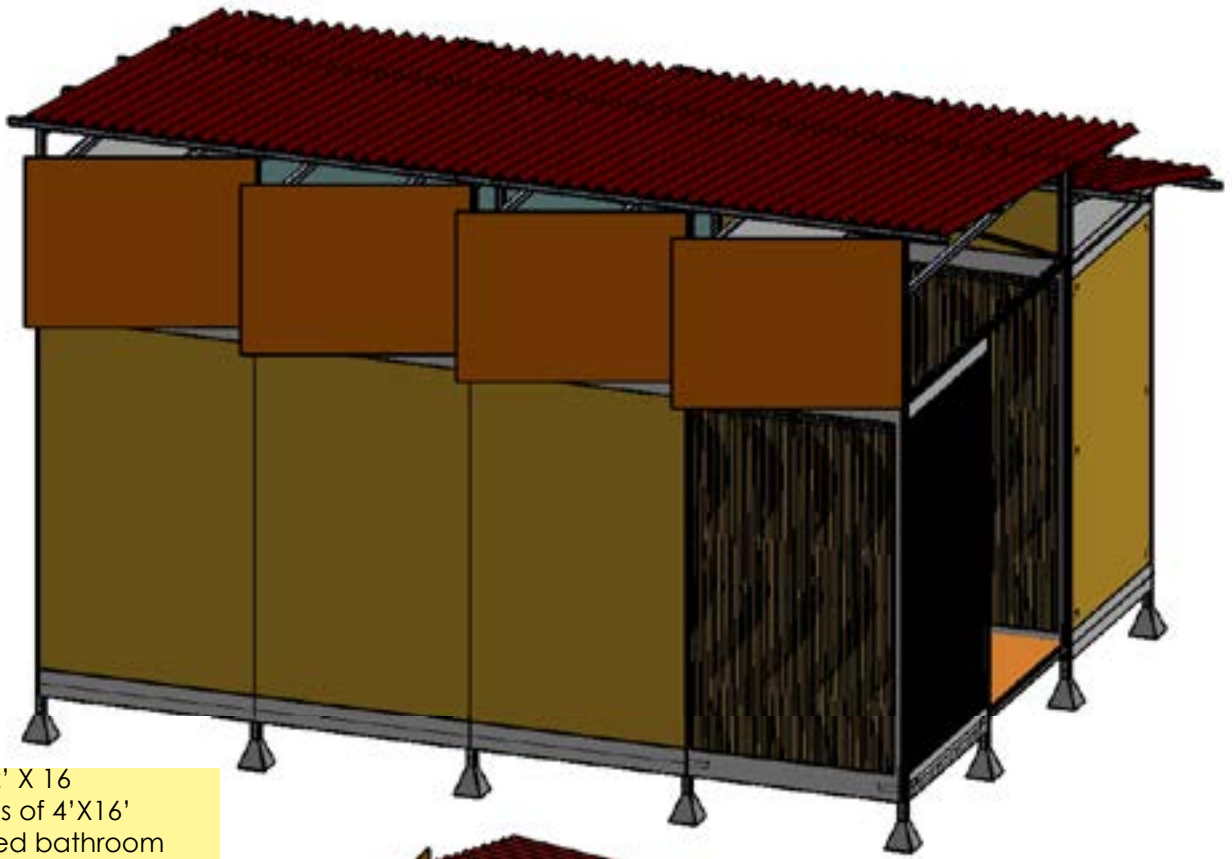


Kanbargi Slum housing Design

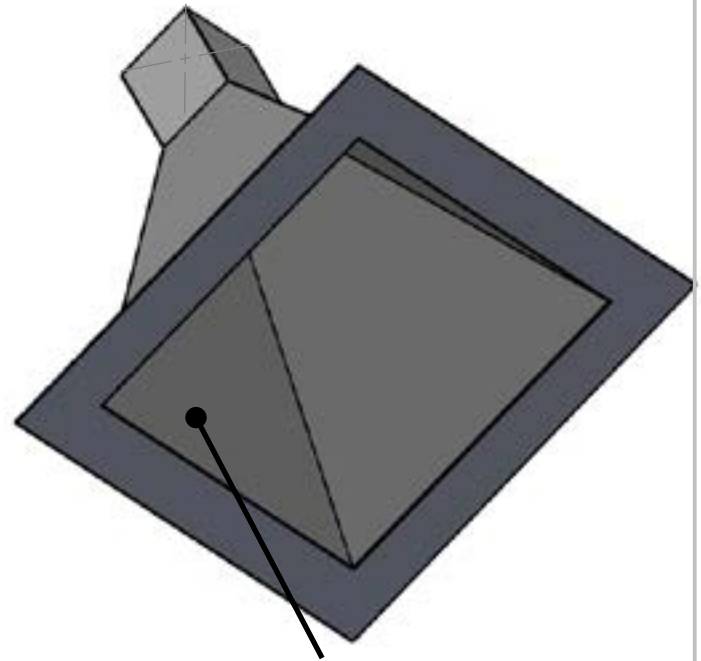
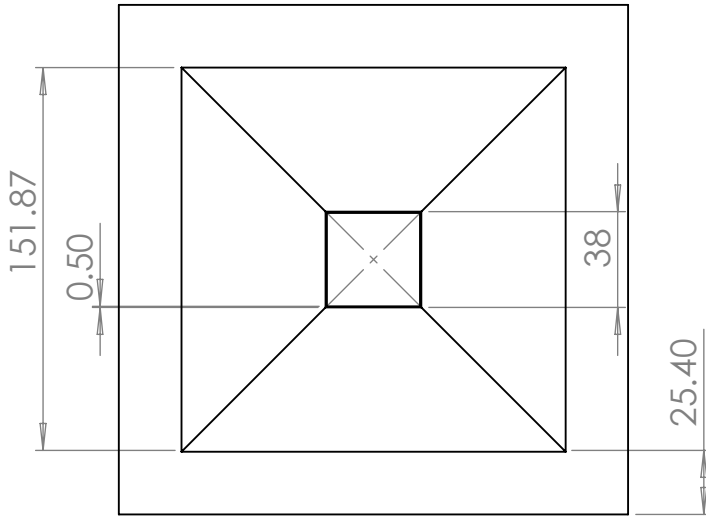
Updated on September 28th , 2016



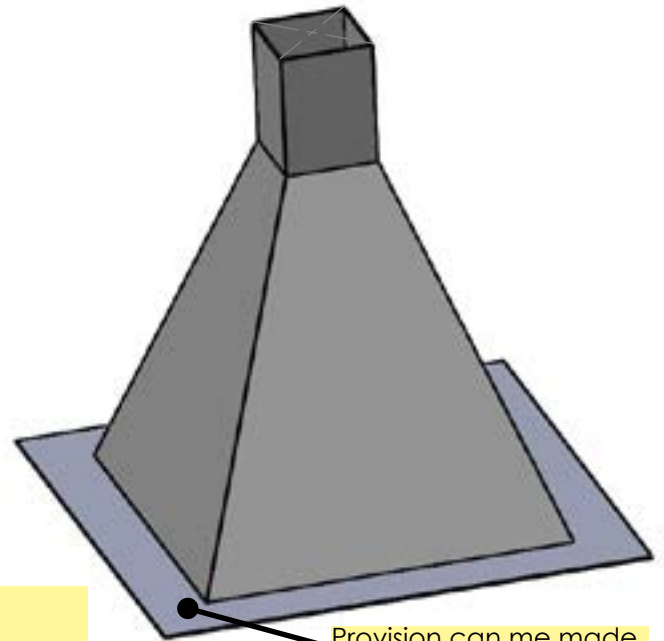
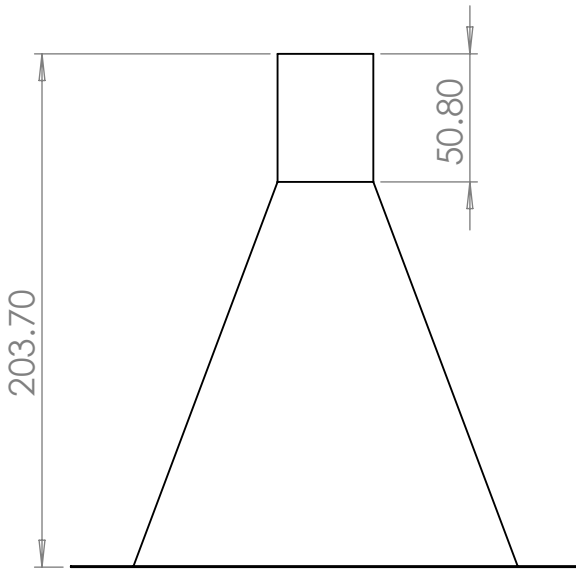
Size : 12' X 16'
 Modules of 4'X16'
 Attached bathroom
 and wash area.



UNLESS OTHERWISE SPECIFIED: DIMENSIONS ARE IN MILLIMETERS SURFACE FINISH: TOLERANCES: LINEAR: ANGULAR:			FINISH:	DEBUR AND BREAK SHARP EDGES	DO NOT SCALE DRAWING	REVISION
DRAWN			SIGNATURE	DATE	TITLE:	
CHK'D						
APPV'D						
MFG						
Q.A			MATERIAL:		SWG NO.	
					Corrected model colored	
			WEIGHT:		SCALE:1:40	SHEET 1 OF 1



Mud to be filled on site



Provision can me made for anchoring if required

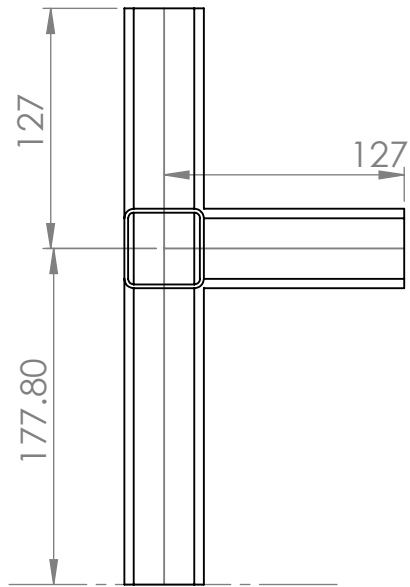
Material options :

1. GI Sheet 24 guage... 200/- to 300/- per piece.
2. MS sheet 16 guage to be galvanized (this will be heavier and more expensive)

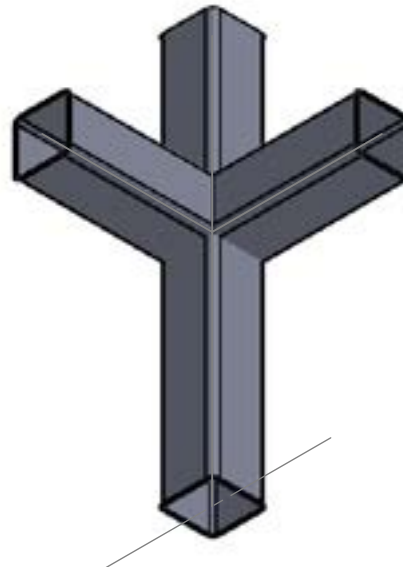
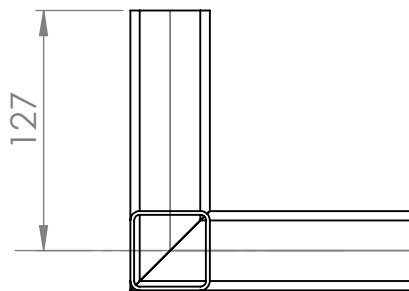
Notes:

1. It is essential to make this a seperate piece for stackable packaging.
2. Only corners can be MS and all the other pyramids can be of GI.
3. The strength should be tested by filling the hollow svolume with mud.

UNLESS OTHERWISE SPECIFIED: DIMENSIONS ARE IN MILLIMETERS SURFACE FINISH: TOLERANCES: LINEAR: ANGULAR:		FINISH:		DEBUR AND BREAK SHARP EDGES		DO NOT SCALE DRAWING		REVISION	
NAME		SIGNATURE		DATE		TITLE:			
DRAWN									
CHK'D									
APPV'D									
MFG									
Q.A						MATERIAL: 24 guage GI sheet or MS sheet 16 guage		DWG NO.	
						WEIGHT:		SCALE:1:3	
								SHEET 1 OF 1	
							Base pyramid		A4



Fabricator has changed these joineries.



UNLESS OTHERWISE SPECIFIED:
DIMENSIONS ARE IN MILLIMETERS
SURFACE FINISH:
TOLERANCES:
LINEAR:
ANGULAR:

FINISH:

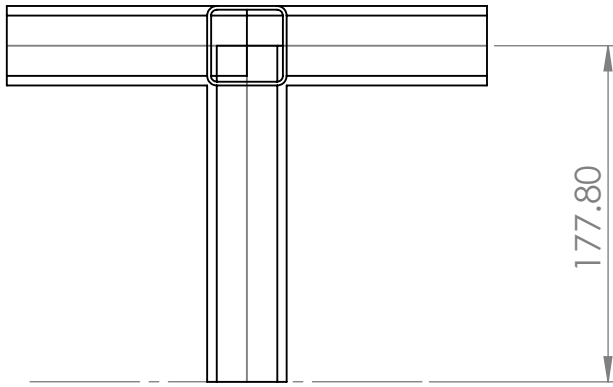
DEBUR AND
BREAK SHARP
EDGES

DO NOT SCALE DRAWING

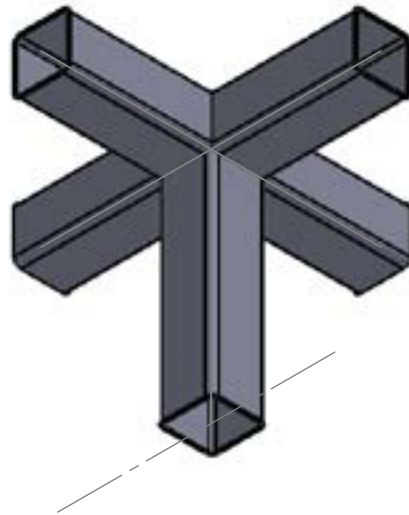
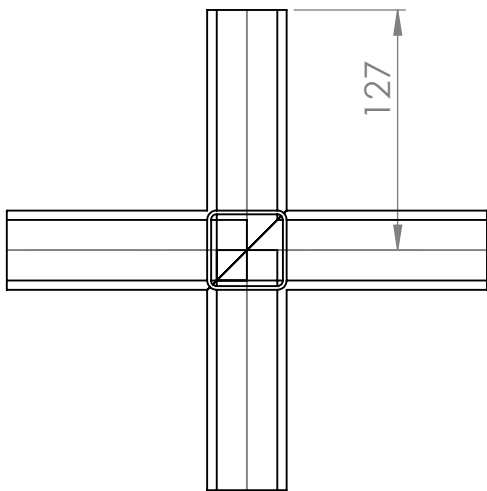
REVISION

	NAME	SIGNATURE	DATE		
DRAWN					
CHK'D					
APPV'D					
MFG					
Q.A					
				MATERIAL:	
				Mild steel	
				WEIGHT:	

TITLE:	
DWG NO.	Jack Corner
SCALE:1:4	A4
SHEET 1 OF 1	



Fabricator has changed these joineries.



UNLESS OTHERWISE SPECIFIED:
DIMENSIONS ARE IN MILLIMETERS
SURFACE FINISH:
TOLERANCES:
LINEAR:
ANGULAR:

FINISH:

DEBUR AND
BREAK SHARP
EDGES

DO NOT SCALE DRAWING

REVISION

	NAME	SIGNATURE	DATE		
DRAWN					
CHK'D					
APPV'D					
MFG					
Q.A				MATERIAL:	
				WEIGHT:	

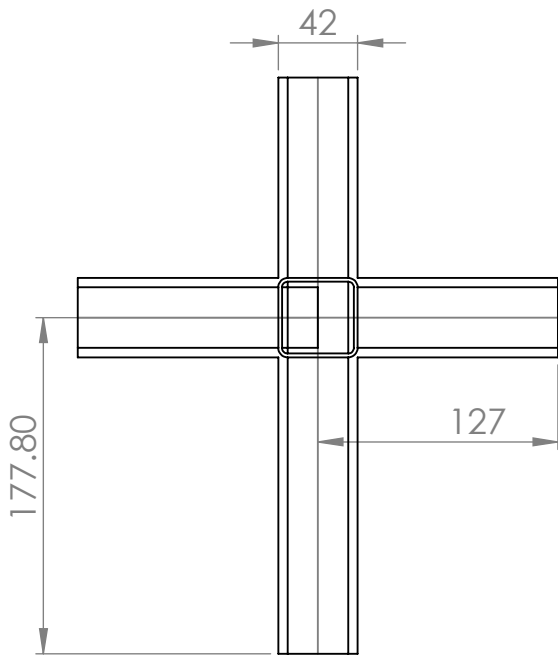
TITLE:

DWG NO.

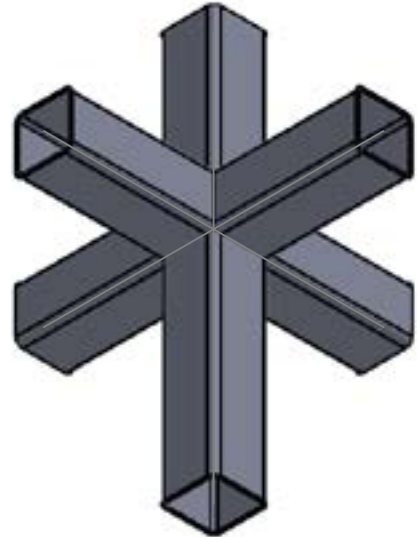
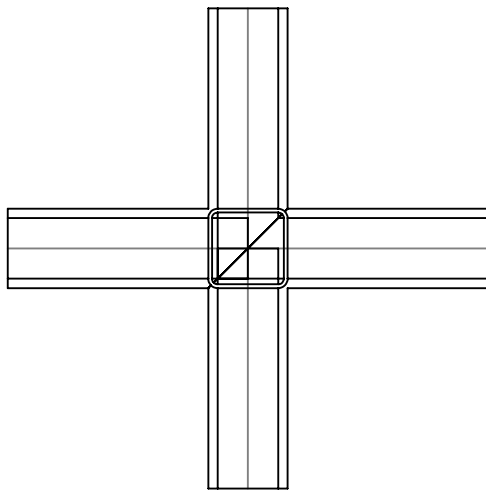
Jack middle 5 way^{A4}

SCALE:1:4

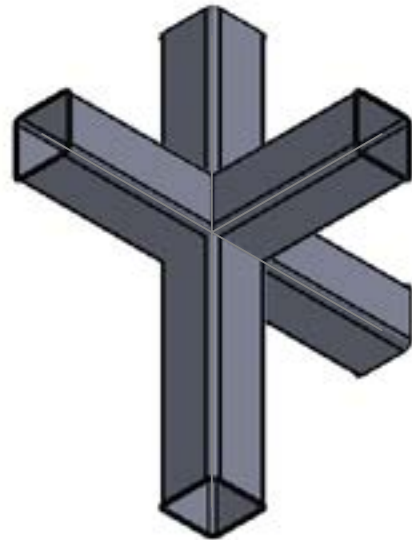
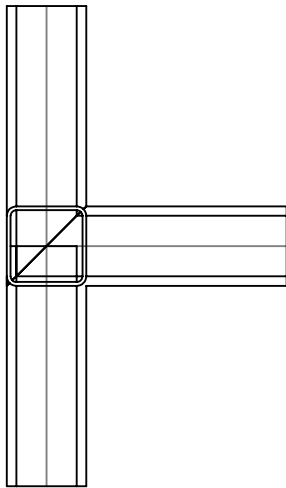
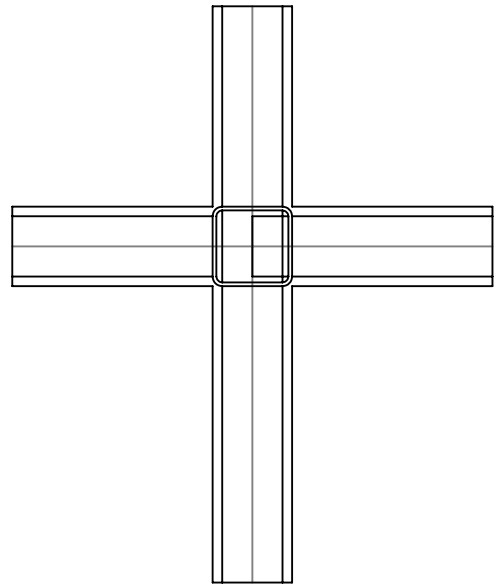
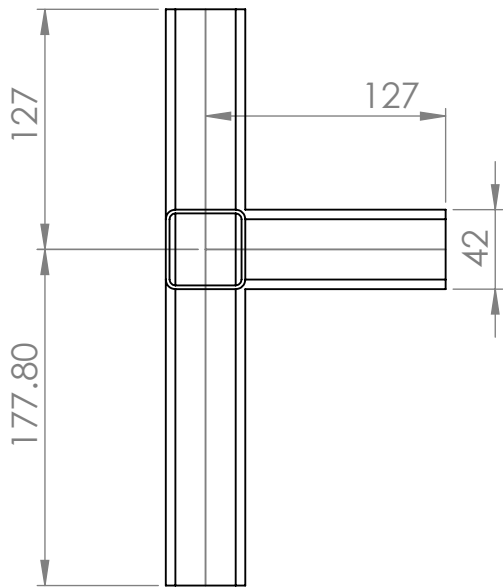
SHEET 1 OF 1



Fabricator has changed these joineries.



UNLESS OTHERWISE SPECIFIED: DIMENSIONS ARE IN MILLIMETERS SURFACE FINISH: TOLERANCES: LINEAR: ANGULAR:				FINISH:		DEBUR AND BREAK SHARP EDGES		DO NOT SCALE DRAWING		REVISION	
DRAWN				SIGNATURE		DATE		TITLE:			
CHK'D											
APPV'D											
MFG											
Q.A						MATERIAL: Mild Steel		DWG NO.		Jack middle 6 way ^{A4}	
						WEIGHT:		SCALE:1:4		SHEET 1 OF 1	



Fabricator has changed these joineries.

UNLESS OTHERWISE SPECIFIED:
DIMENSIONS ARE IN MILLIMETERS
SURFACE FINISH:
TOLERANCES:
LINEAR:
ANGULAR:

FINISH:

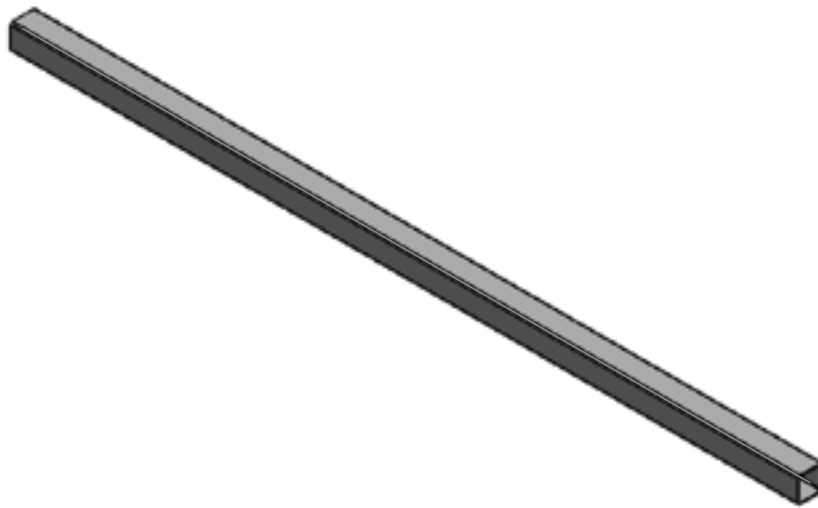
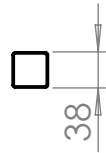
DEBUR AND
BREAK SHARP
EDGES

DO NOT SCALE DRAWING

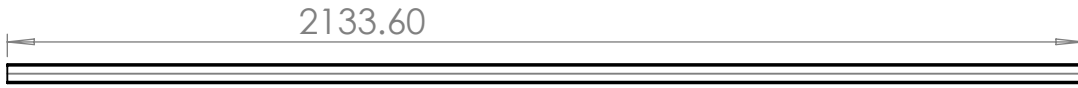
REVISION

	NAME	SIGNATURE	DATE		
DRAWN					
CHK'D					
APPV'D					
MFG					
Q.A					
				MATERIAL:	
				Mild Steel	
				WEIGHT:	

TITLE:	
DWG NO.	Jack middle side
SCALE:1:4	A4
SHEET 1 OF 1	



UNLESS OTHERWISE SPECIFIED: DIMENSIONS ARE IN MILLIMETERS SURFACE FINISH: TOLERANCES: LINEAR: ANGULAR:		FINISH:		DEBUR AND BREAK SHARP EDGES		DO NOT SCALE DRAWING		REVISION	
DRAWN		SIGNATURE		DATE		TITLE:			
CHK'D									
APPV'D									
MFG									
Q.A				MATERIAL: MILD STEEL		DWG NO.		4 feet SHS 38 mm	
				WEIGHT:		SCALE:1:8		SHEET 1 OF 1	
								A4	



2133.60



38



UNLESS OTHERWISE SPECIFIED:
DIMENSIONS ARE IN MILLIMETERS
SURFACE FINISH:
TOLERANCES:
LINEAR:
ANGULAR:

FINISH:

DEBUR AND
BREAK SHARP
EDGES

DO NOT SCALE DRAWING

REVISION

	NAME	SIGNATURE	DATE		
DRAWN					
CHK'D					
APPV'D					
MFG					
Q.A					
				MATERIAL:	
				MILD STEEL	
				WEIGHT:	

TITLE:

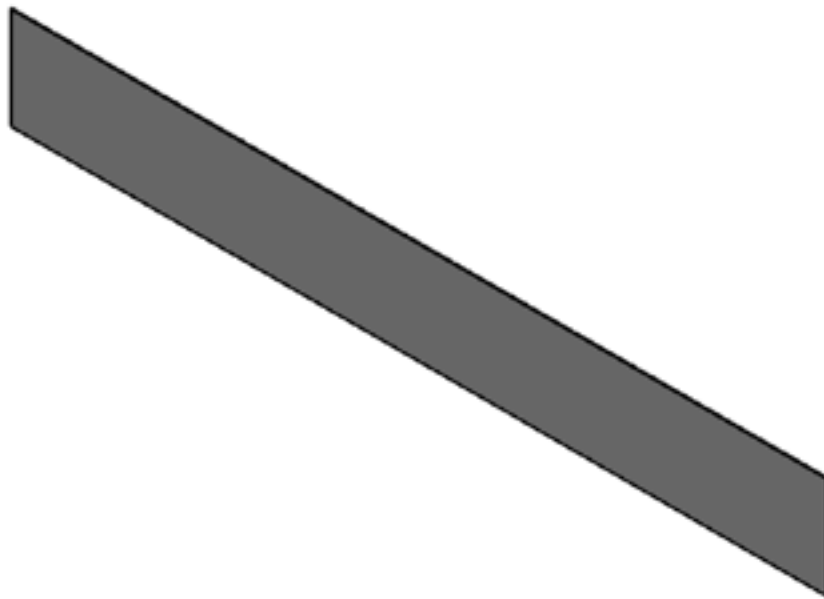
DWG NO.

7 ft SHS 38 mm

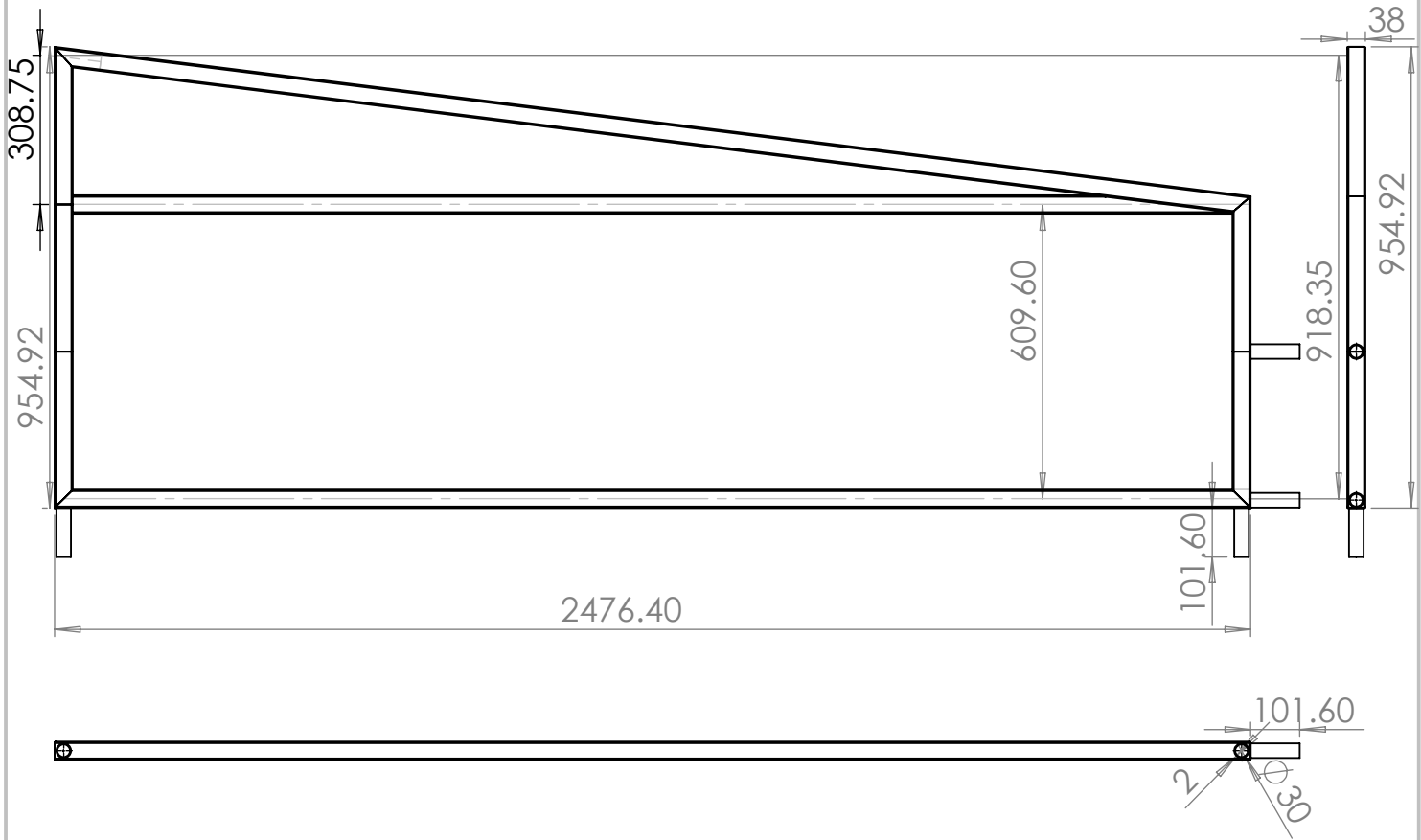
A4

SCALE:1:15

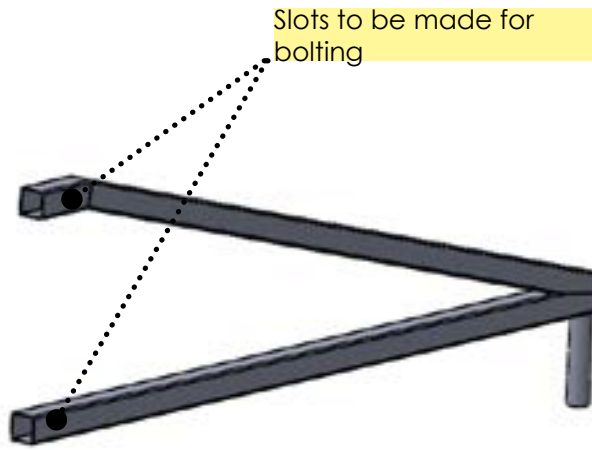
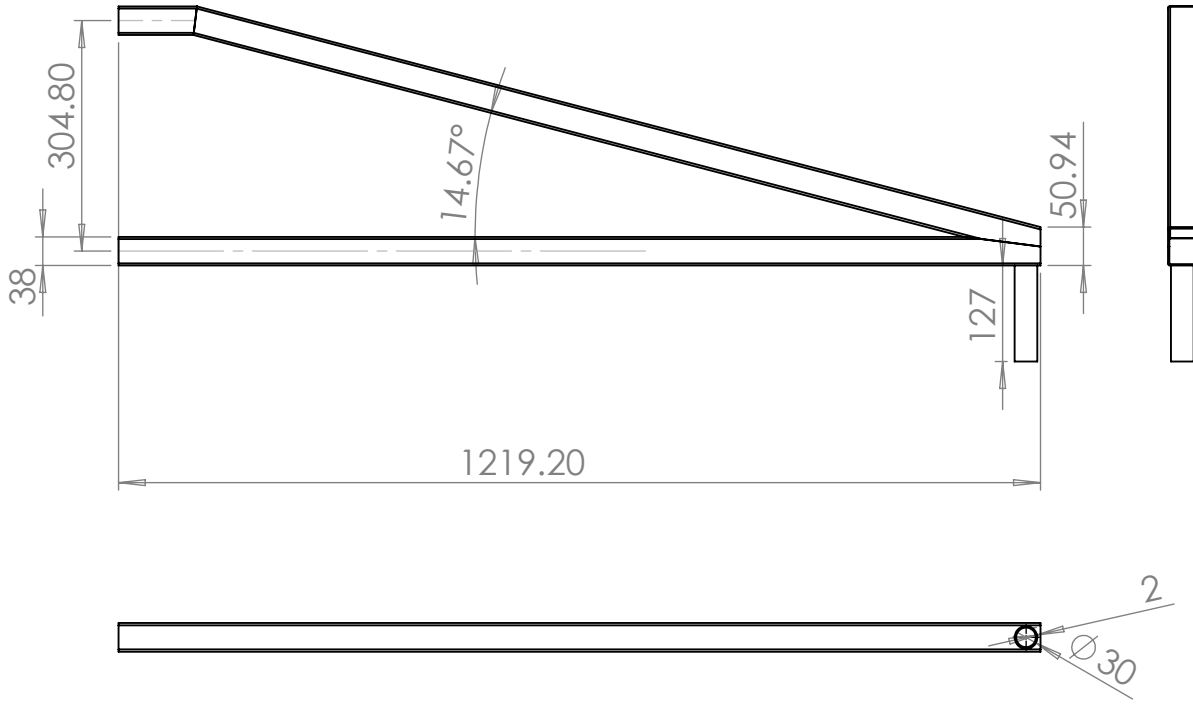
SHEET 1 OF 1



UNLESS OTHERWISE SPECIFIED: DIMENSIONS ARE IN MILLIMETERS		FINISH:		DEBUR AND BREAK SHARP EDGES		DO NOT SCALE DRAWING		REVISION	
SURFACE FINISH:									
TOLERANCES:									
LINEAR:									
ANGULAR:									
	NAME	SIGNATURE	DATE			TITLE:			
DRAWN									
CHK'D									
APPV'D									
MFG									
Q.A						DWG NO.		PC guard board	
						SCALE:1:8		SHEET 1 OF 1	
						MATERIAL:		A4	
						Polycarbonate			
						WEIGHT:			



UNLESS OTHERWISE SPECIFIED: DIMENSIONS ARE IN MILLIMETERS SURFACE FINISH: TOLERANCES: LINEAR: ANGULAR:				FINISH:	DEBUR AND BREAK SHARP EDGES	DO NOT SCALE DRAWING	REVISION
NAME	SIGNATURE	DATE				TITLE:	
DRAWN							
CHK'D							
APPV'D							
MFG							
Q.A				MATERIAL: Mild Steel		DWG NO. Gable design part one	A4
				WEIGHT:		SCALE:1:15	SHEET 1 OF 1



UNLESS OTHERWISE SPECIFIED:
 DIMENSIONS ARE IN MILLIMETERS
 SURFACE FINISH:
 TOLERANCES:
 LINEAR:
 ANGULAR:

FINISH:

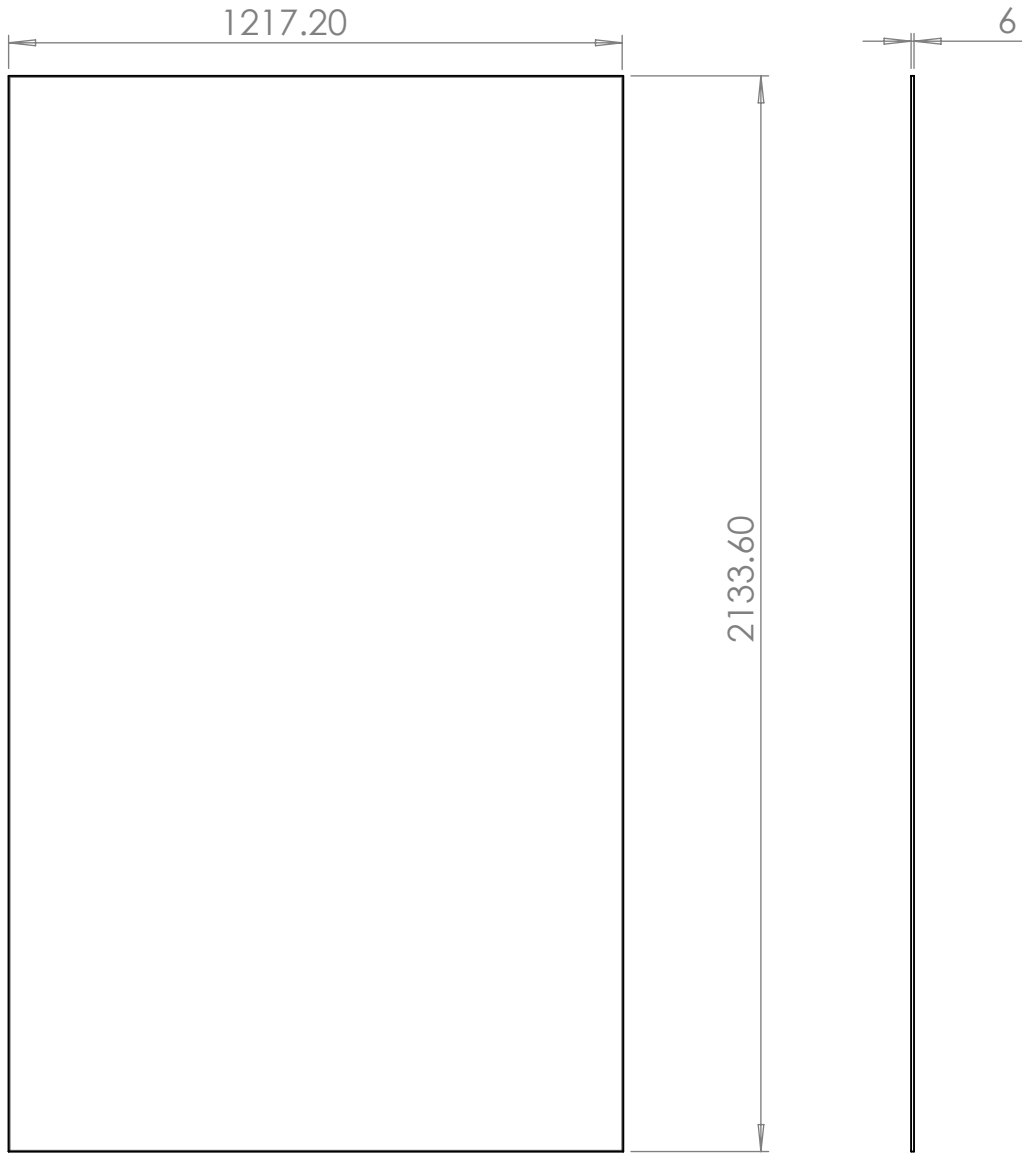
DEBUR AND
 BREAK SHARP
 EDGES

DO NOT SCALE DRAWING

REVISION

	NAME	SIGNATURE	DATE		
DRAWN					
CHK'D					
APPV'D					
MFG					
Q.A					
			MATERIAL: Mild Steel		
			WEIGHT:		

TITLE:	Gable design part 2 final
FIG NO.	
SCALE:1:10	
SHEET 1 OF 1	



UNLESS OTHERWISE SPECIFIED:
 DIMENSIONS ARE IN MILLIMETERS
 SURFACE FINISH:
 TOLERANCES:
 LINEAR:
 ANGULAR:

FINISH:

DEBUR AND
 BREAK SHARP
 EDGES

DO NOT SCALE DRAWING

REVISION

	NAME	SIGNATURE	DATE		
DRAWN					
CHK'D					
APPV'D					
MFG					
Q.A					

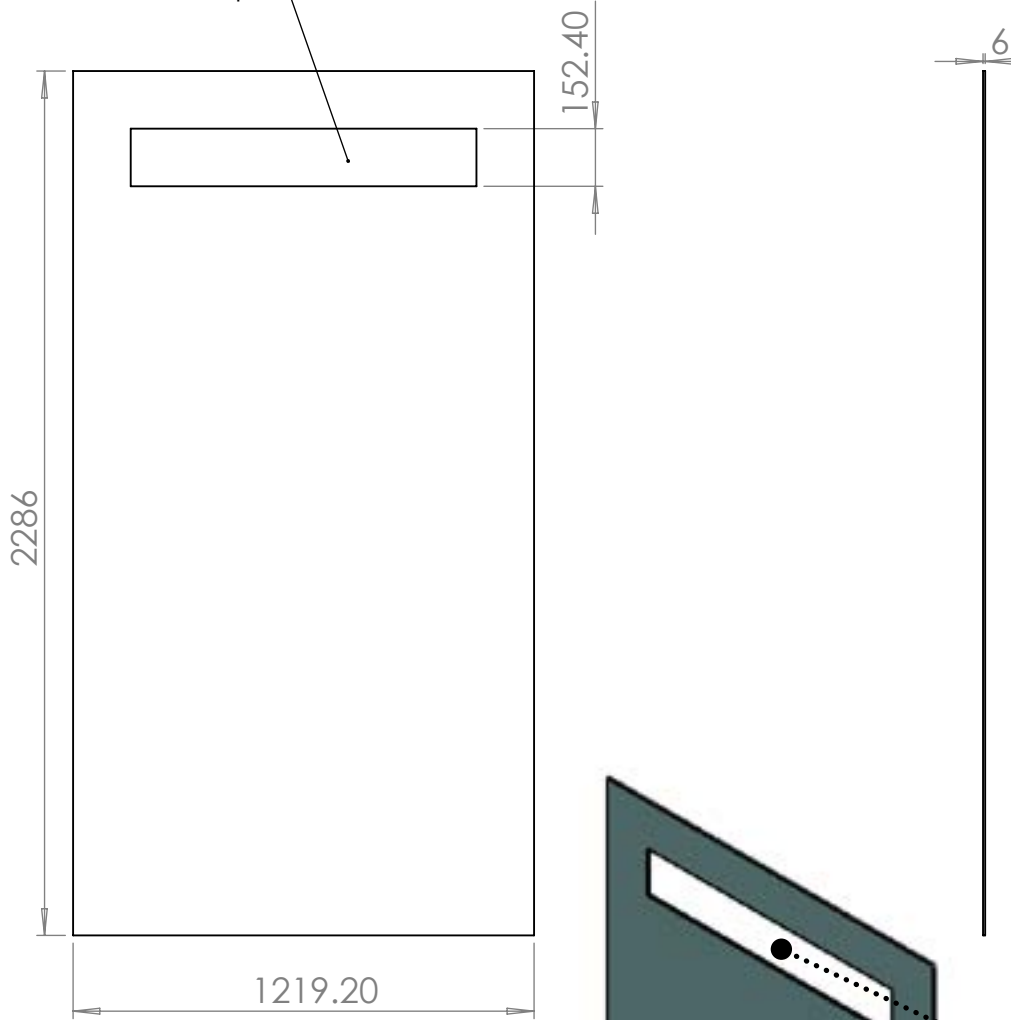
TITLE:	
DWG NO.	6mm Bamboo mat board
SCALE:	1:15
SHEET	1 OF 1

MATERIAL:
**BAMBOO MAT
 BOARD**

WEIGHT:

6mm Bamboo mat board

Mosquito screen to be put



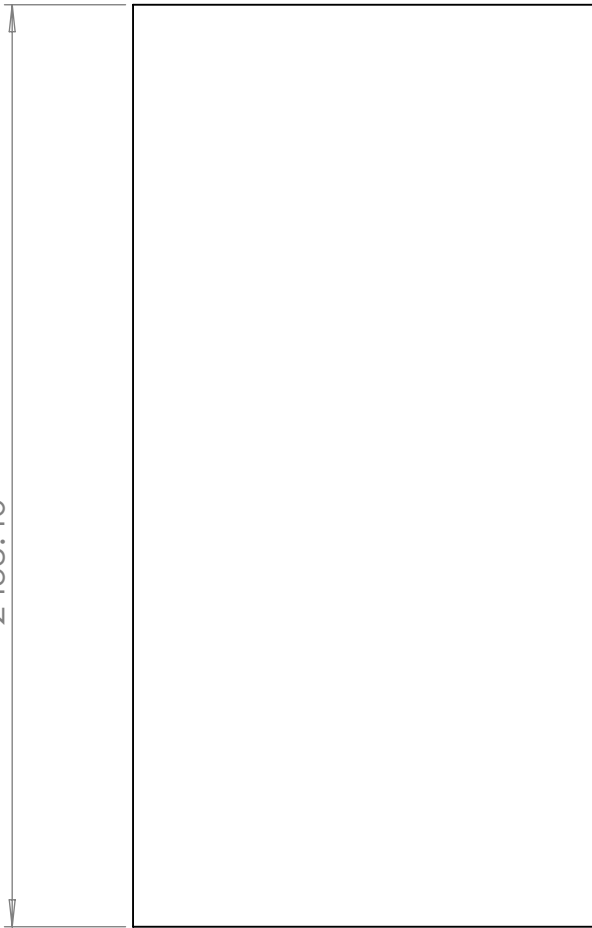
Since PVC sheet is not available in this form , there are 2 options :

1. Bamboo mat board 6mm. Lined up with 4mm Polycarbonate sheet.
2. Directly use 4mm Polycarbonate sheet on a MS frame. Put paint or stickers on one side to make it opaque.

Mosquito screen to be screwed.

UNLESS OTHERWISE SPECIFIED: DIMENSIONS ARE IN MILLIMETERS SURFACE FINISH: TOLERANCES: LINEAR: ANGULAR:			FINISH:		DEBUR AND BREAK SHARP EDGES		DO NOT SCALE DRAWING		REVISION	
DRAWN			SIGNATURE		DATE		TITLE:			
CHK'D										
APPV'D										
MFG										
Q.A					MATERIAL: PVC Sheet		DWG NO. PVC sheet 4'X 7-3		A4	
					WEIGHT:		SCALE:1:20		SHEET 1 OF 1	

2438.40



1219.20



Same as previous slide



UNLESS OTHERWISE SPECIFIED:
DIMENSIONS ARE IN MILLIMETERS
SURFACE FINISH:
TOLERANCES:
LINEAR:
ANGULAR:

FINISH:

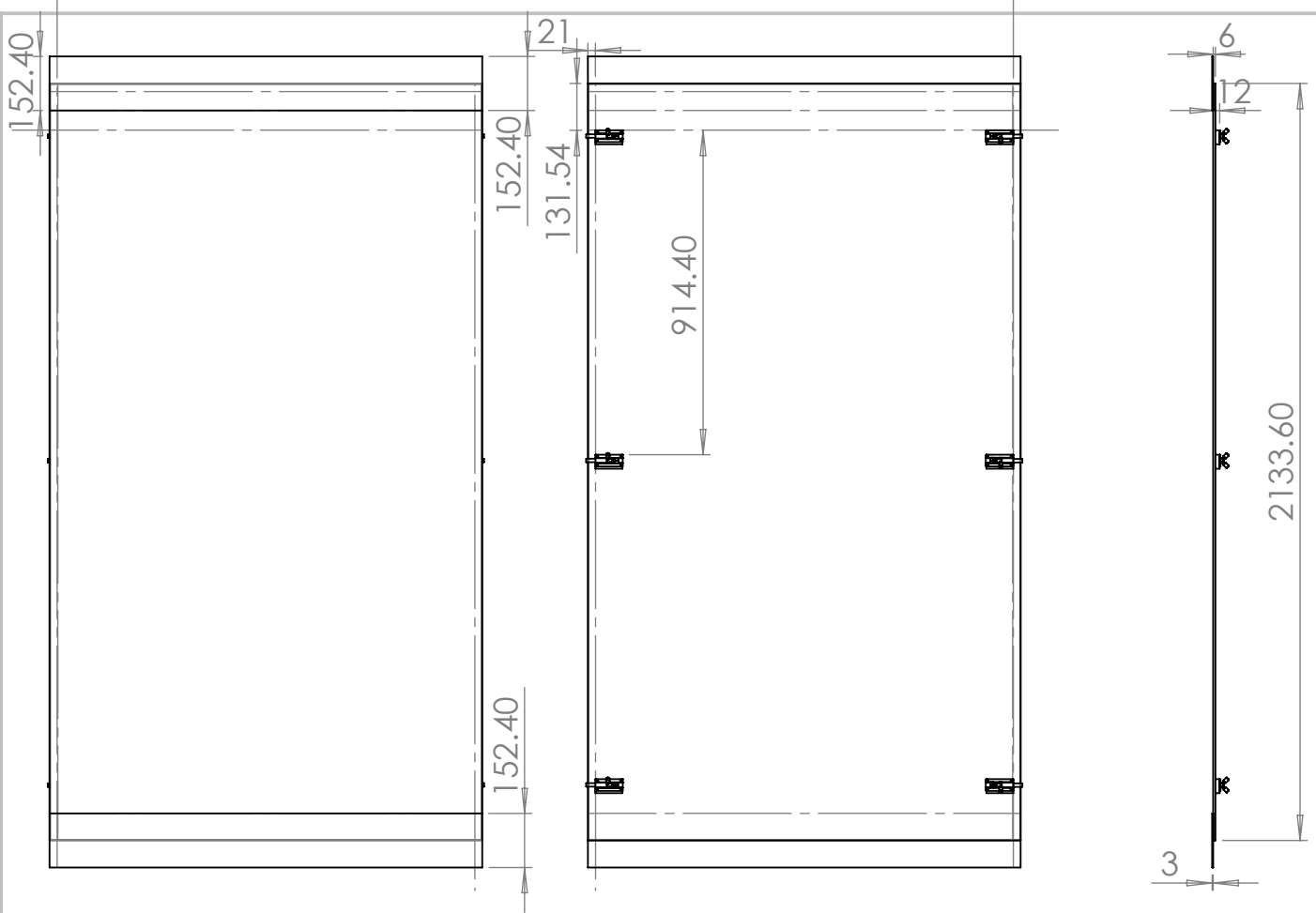
DEBUR AND
BREAK SHARP
EDGES

DO NOT SCALE DRAWING

REVISION

	NAME	SIGNATURE	DATE			
DRAWN						
CHK'D						
APPV'D						
MFG						
Q.A						
				MATERIAL: PVC Sheet		
				WEIGHT:		

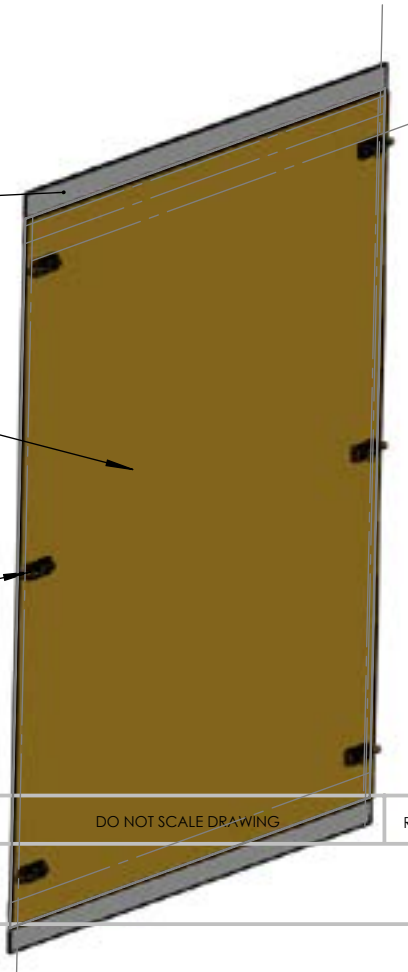
TITLE:	
DWG NO.	PVC sheet 4'X8'
	A4
SCALE:1:20	SHEET 1 OF 1



Polycarbonate splash board

6mm Bamboo mat board

Tower bolt locking system



DO NOT SCALE DRAWING

REVISION

UNLESS OTHERWISE SPECIFIED:
DIMENSIONS ARE IN MILLIMETERS
SURFACE FINISH:
TOLERANCES:
LINEAR:
ANGULAR:

FINISH:

DEBUR AND
BREAK SHARP
EDGES

	NAME	SIGNATURE	DATE		
DRAWN					
CHK'D					
APPV'D					
MFG					
Q.A				MATERIAL:	
				WEIGHT:	

TITLE:

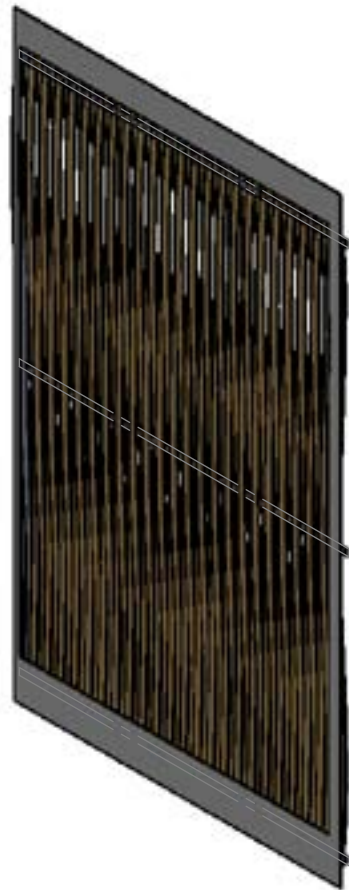
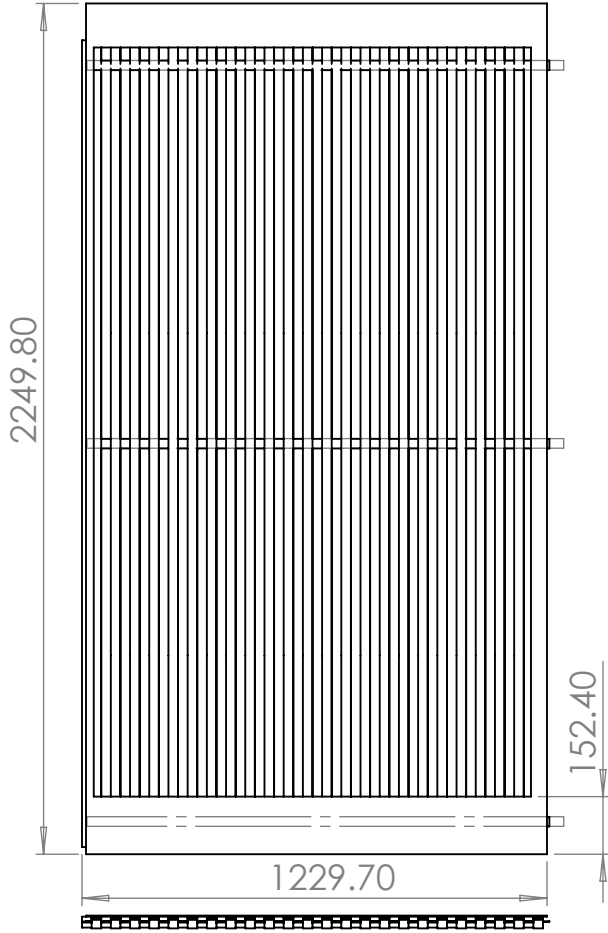
DWG NO.

Wall Panel1

A4

SCALE:1:20

SHEET 1 OF 1



UNLESS OTHERWISE SPECIFIED:
DIMENSIONS ARE IN MILLIMETERS
SURFACE FINISH:
TOLERANCES:
LINEAR:
ANGULAR:

FINISH:

DEBUR AND
BREAK SHARP
EDGES

DO NOT SCALE DRAWING

REVISION

	NAME	SIGNATURE	DATE		
DRAWN					
CHK'D					
APPV'D					
MFG					
Q.A					
				MATERIAL:	
				Split Bamboo	
				WEIGHT:	

TITLE:

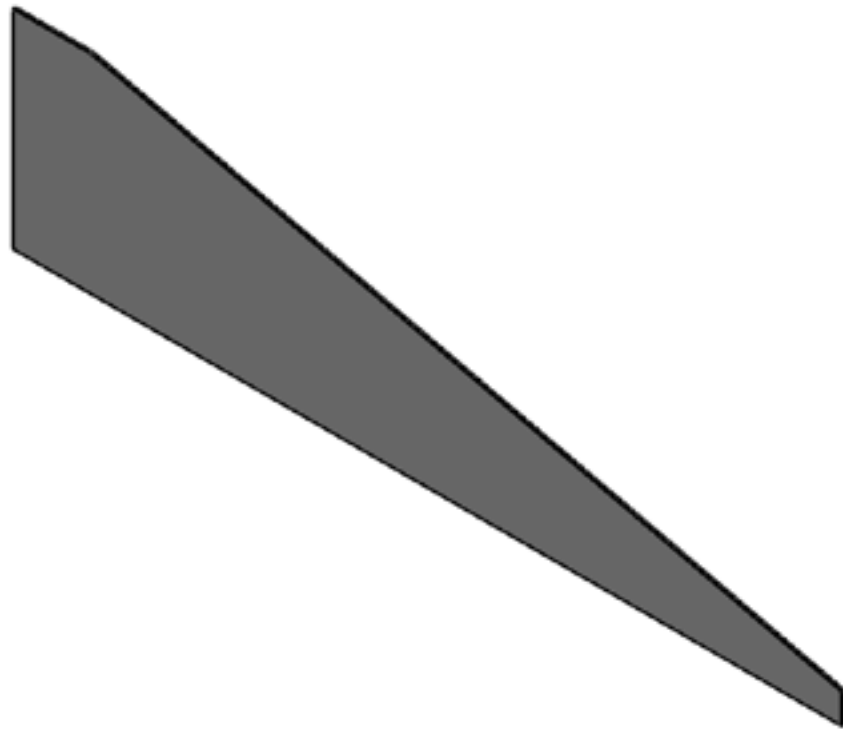
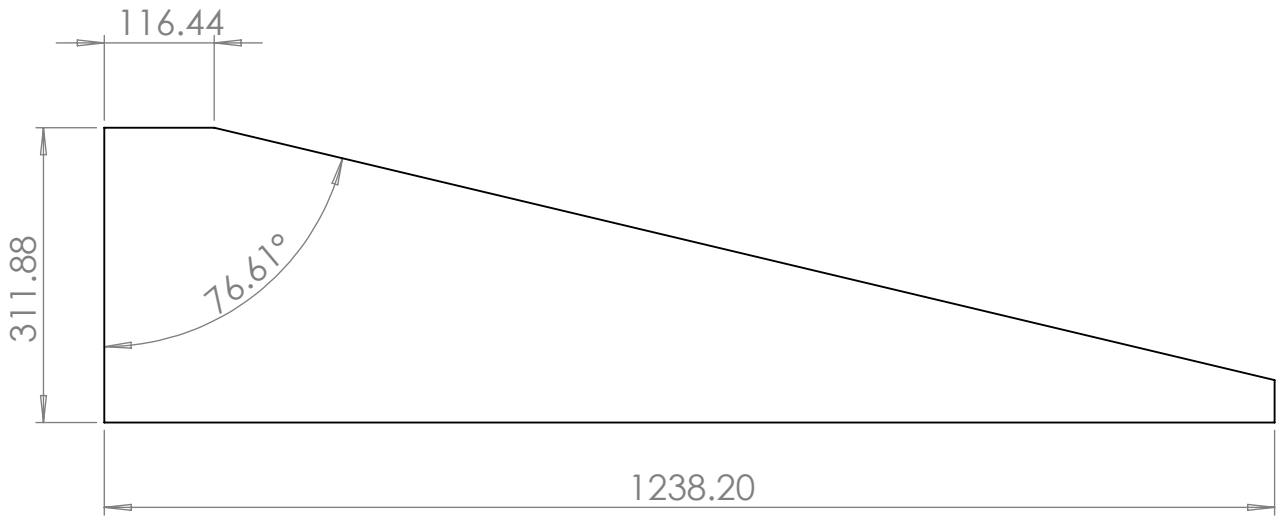
DWG NO.

Screen panel

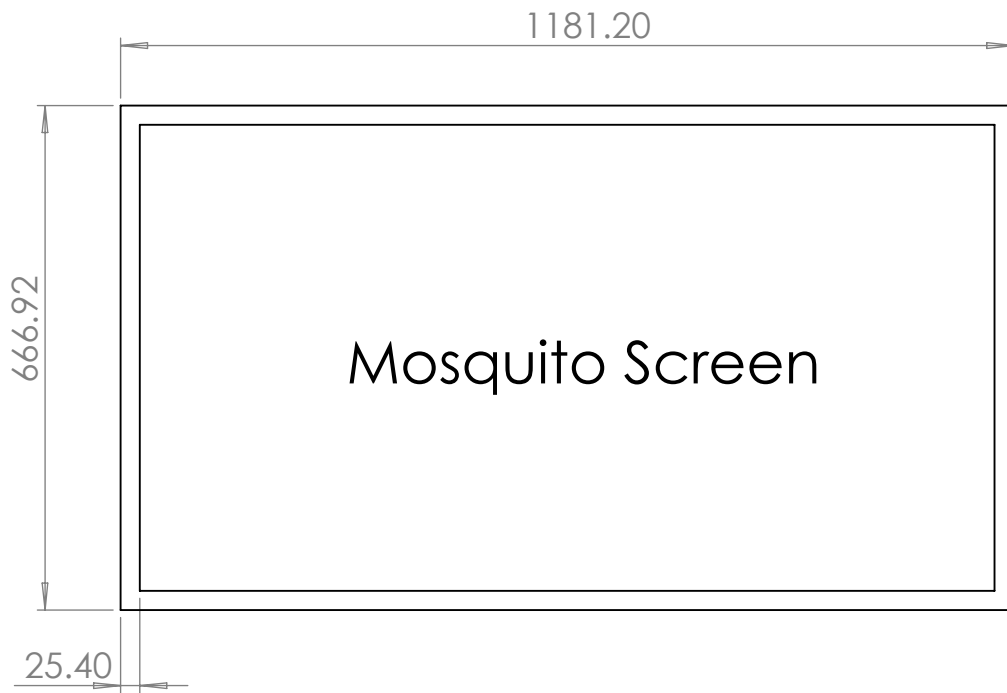
A4

SCALE:1:20

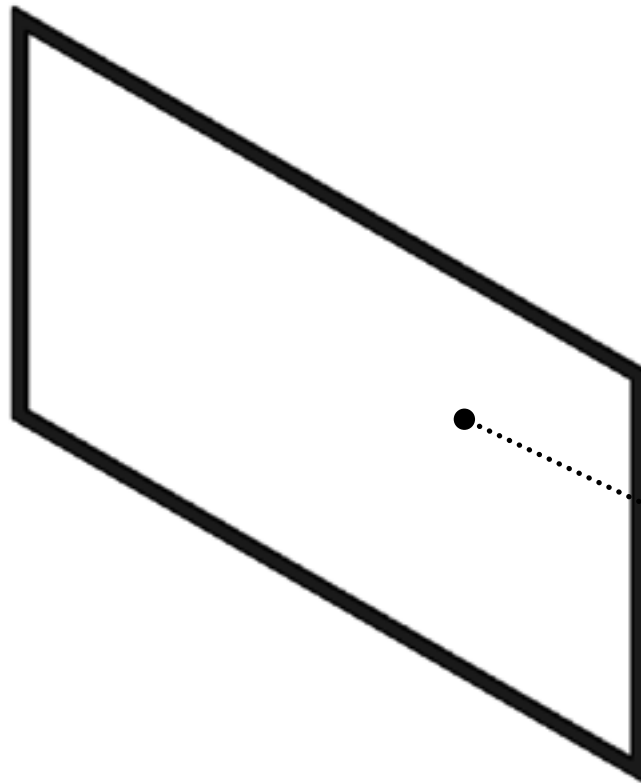
SHEET 1 OF 1



UNLESS OTHERWISE SPECIFIED: DIMENSIONS ARE IN MILLIMETERS		FINISH:		DEBUR AND BREAK SHARP EDGES		DO NOT SCALE DRAWING		REVISION		
SURFACE FINISH:										
TOLERANCES:										
LINEAR:										
ANGULAR:										
	NAME	SIGNATURE	DATE			TITLE:				
DRAWN										
CHK'D										
APPV'D										
MFG										
Q.A						MATERIAL: POLYCARBONATE		DWG NO. FRP sheet small		A4
						WEIGHT:		SCALE:1:8		SHEET 1 OF 1

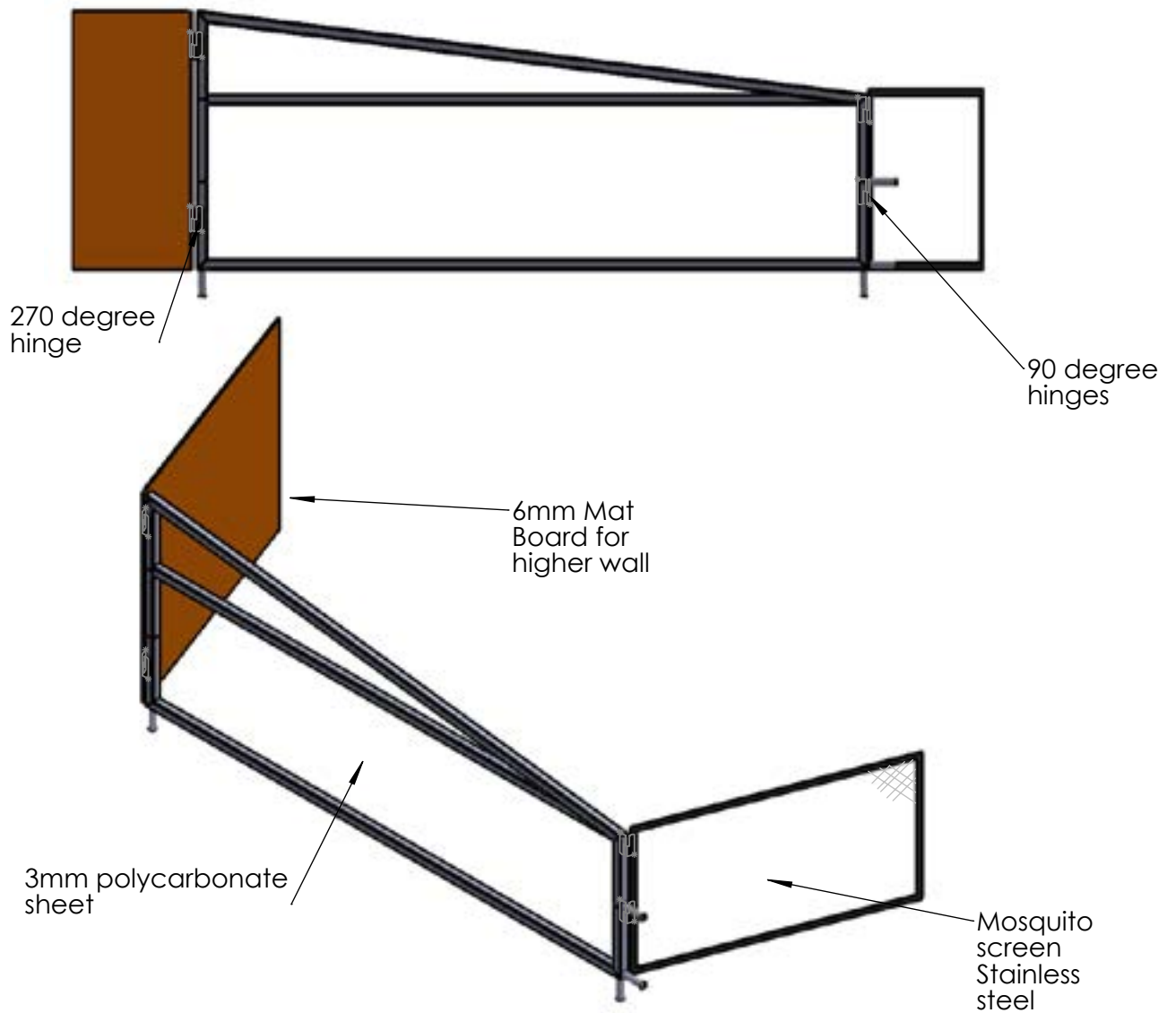
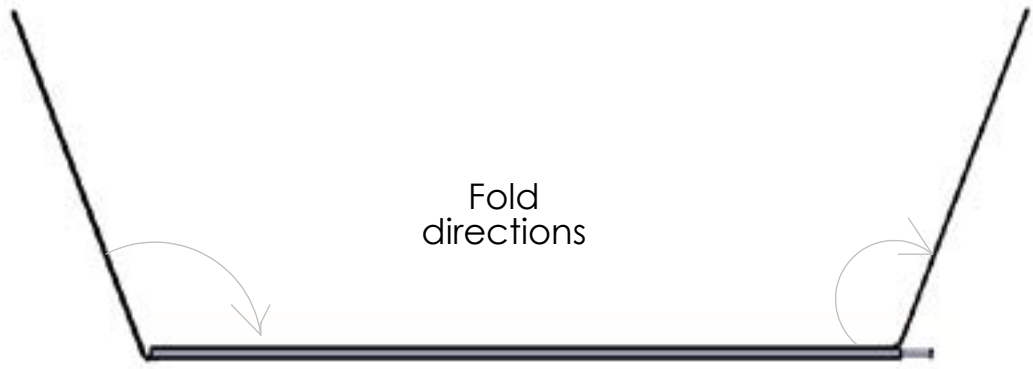


2



Mosquito screen to be screwed.

UNLESS OTHERWISE SPECIFIED: DIMENSIONS ARE IN MILLIMETERS SURFACE FINISH: TOLERANCES: LINEAR: ANGULAR:				FINISH:		DEBUR AND BREAK SHARP EDGES		DO NOT SCALE DRAWING		REVISION	
DRAWN				SIGNATURE		DATE		TITLE:			
CHK'D											
APPV'D											
MFG											
Q.A						MATERIAL: Vent part		DWG NO.		Vent	
								SCALE:1:10		SHEET 1 OF 1	
										A4	



UNLESS OTHERWISE SPECIFIED:
DIMENSIONS ARE IN MILLIMETERS
SURFACE FINISH:
TOLERANCES:
LINEAR:
ANGULAR:

FINISH:

DEBUR AND
BREAK SHARP
EDGES

DO NOT SCALE DRAWING

REVISION

	NAME	SIGNATURE	DATE		
DRAWN					
CHK'D					
APPV'D					
MFG					
Q.A					
				MATERIAL:	
				WEIGHT:	

TITLE:	
SWG NO.	
SCALE:1:25	SHEET 1 OF 1

Gable vent wall assembly



UNLESS OTHERWISE SPECIFIED:
 DIMENSIONS ARE IN MILLIMETERS
 SURFACE FINISH:
 TOLERANCES:
 LINEAR:
 ANGULAR:

FINISH:

DEBUR AND
 BREAK SHARP
 EDGES

DO NOT SCALE DRAWING

REVISION

	NAME	SIGNATURE	DATE		
DRAWN					
CHK'D					
APPV'D					
MFG					
Q.A				MATERIAL:	
				WEIGHT:	

TITLE:

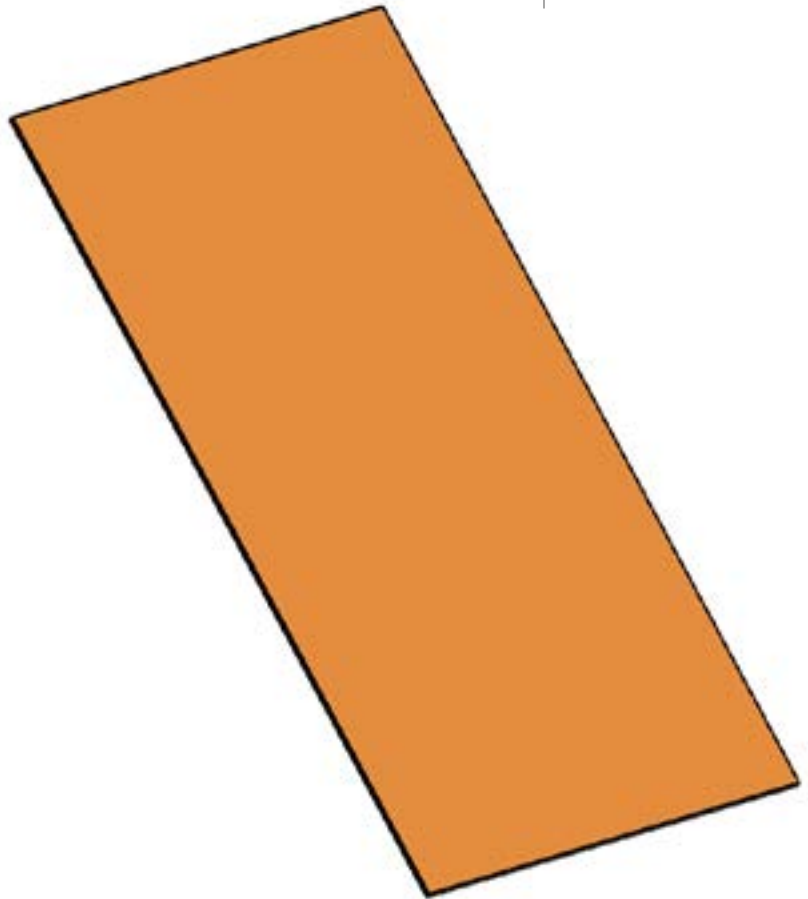
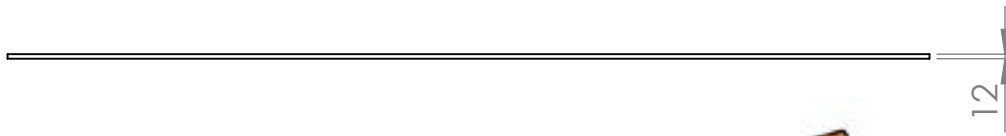
DWG NO.

Purlin connecting

A4

SCALE:1:18

SHEET 1 OF 1



UNLESS OTHERWISE SPECIFIED:
DIMENSIONS ARE IN MILLIMETERS
SURFACE FINISH:
TOLERANCES:
LINEAR:
ANGULAR:

FINISH:

DEBUR AND
BREAK SHARP
EDGES

DO NOT SCALE DRAWING

REVISION

	NAME	SIGNATURE	DATE			
DRAWN						
CHK'D						
APPV'D						
MFG						

TITLE:

Q.A						

MATERIAL:
Bamboo
mat board

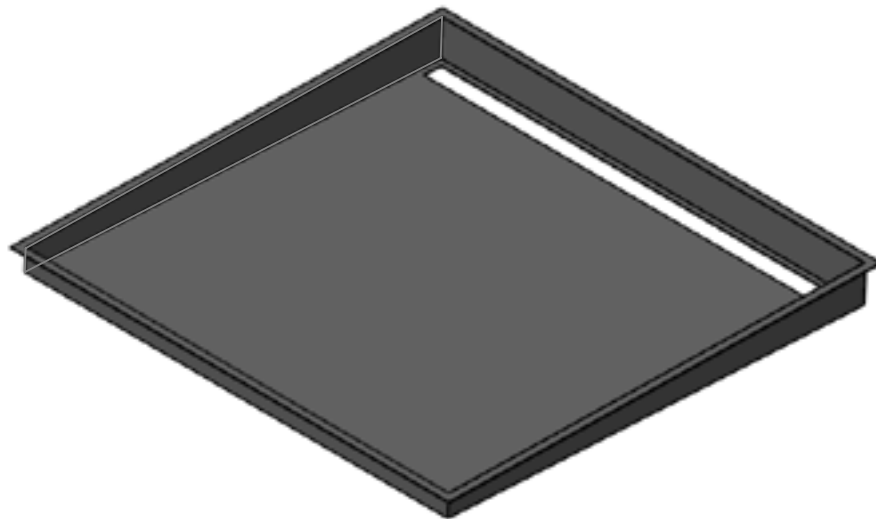
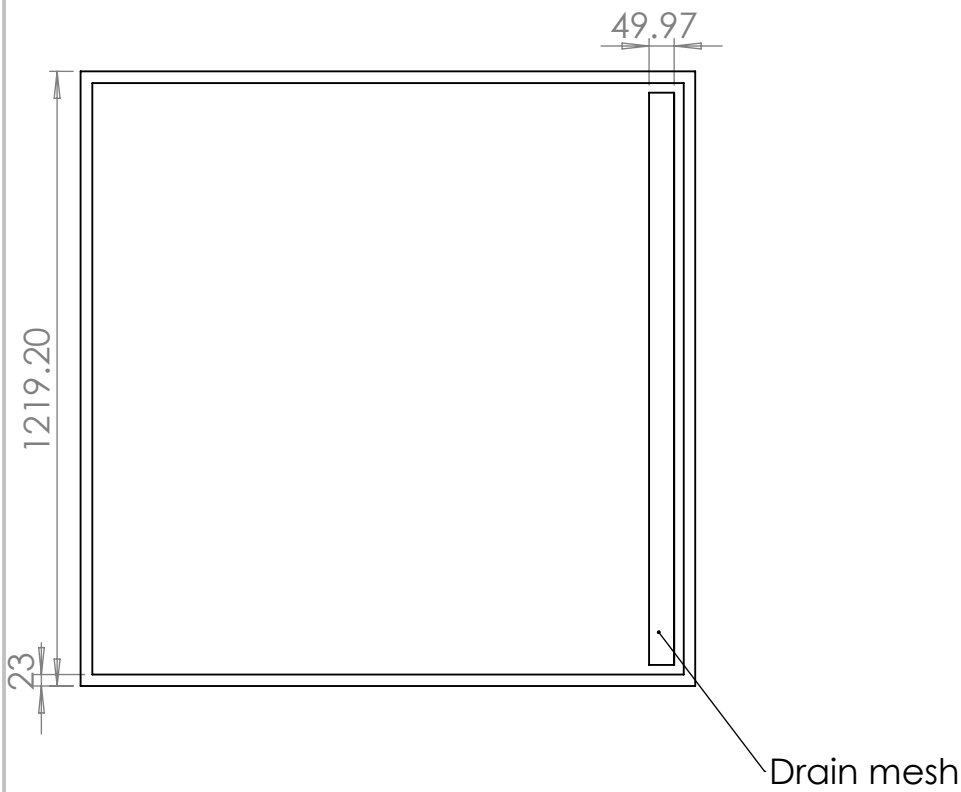
bamboo mat board 8'X4' 12 r

DWG NO.

WEIGHT:

SCALE:1:20

SHEET 1 OF 1



UNLESS OTHERWISE SPECIFIED: DIMENSIONS ARE IN MILLIMETERS SURFACE FINISH: TOLERANCES: LINEAR: ANGULAR:				FINISH:		DEBUR AND BREAK SHARP EDGES		DO NOT SCALE DRAWING		REVISION	
DRAWN				SIGNATURE		DATE		TITLE:			
CHK'D											
APPV'D											
MFG											
Q.A						MATERIAL: Aluminium checkered board		DWG NO.		Washing area tray A4	
						WEIGHT:		SCALE:1:15		SHEET 1 OF 1	